

THE ENERGY EFFICIENT HOT WATER STORAGE UNIT

The Maxistore is an electrically-heated combination hot water storage unit providing gravity hot water and can be installed at high level in a cupboard or in a roof space. Available as a neat, compact unit in three capacities, it is the cost-effective alternative to inefficient, old-fashioned cylinders and tanks. Suitable for use with all off-peak tariffs, the thermal properties of the HCFC-free insulation ensure low energy costs to the consumer.

ELECTRIC HOT WATER STORAGE UNIT

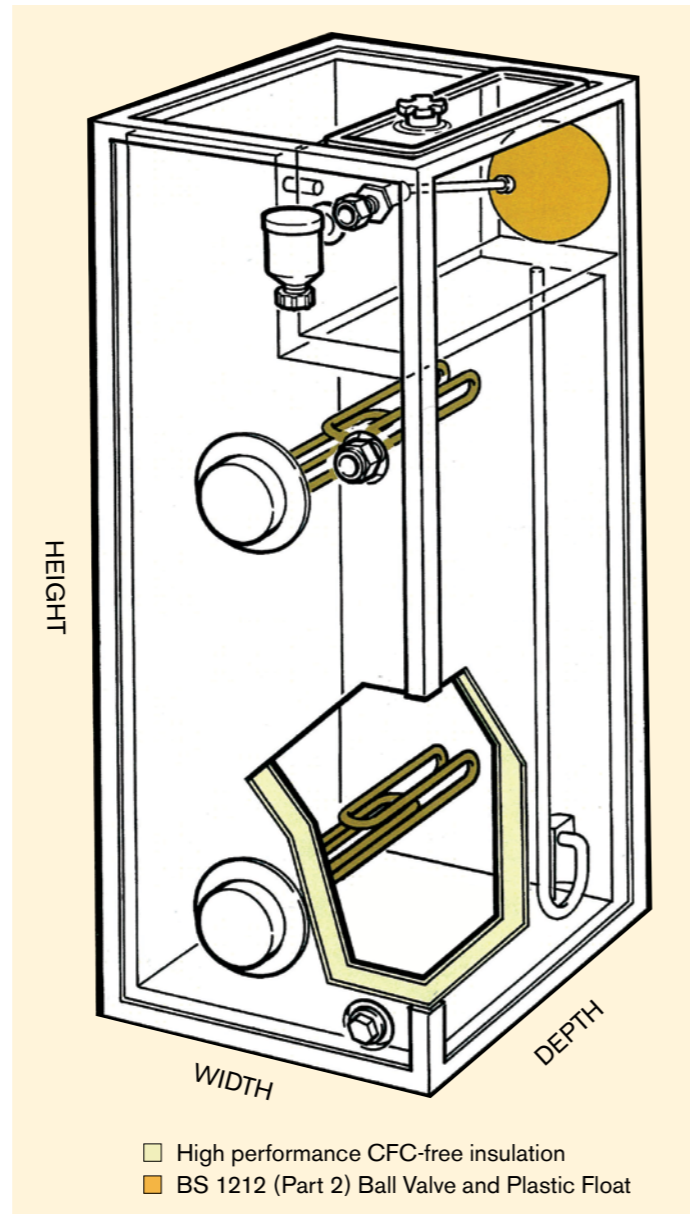
The Maxistore ensures a fast, simple installation that will save money in time and materials and can be supplied with two three-kilowatt maxistore immersion heaters and thermostats factory-fitted to make installation even quicker.

By using 50mm thickness of HCFC-free polyurethane foam insulation, heat loss is kept to a minimum - providing low running costs for the consumer.

Available in capacities to meet the Electricity Association, Civic Shield and Medallion Award requirements.

The lower heater offers maximum storage using low cost electricity tariff, and the upper a fast, economical boost. For optimum efficiency, the Electricity Association recommend that the lower thermostat be set at 65 °C and the upper at 55 °C.

Maxistore can be specified with confidence, it is manufactured to comply in every way with the requirements of the Electricity Association, and has full approval on their behalf by the British Standards Institute. Ideal for Civic Shield and Medallion Award specifications, it is Kitemarked to BS 3198: 1981.



OPTIONS & EXTRAS
CE MARKED MAXISTORE 14" IMMERSION HEATERS AND THERMOSTATS - FACTORY FITTED
LOCKSHIELD DRAIN COCK TO BS2879-2
PURPOSE-MADE STAND WITH SLATTED TIMBER SHELVING
28MM HOT WATER DRAW OFF CONNECTION
ADDITIONAL HOT WATER DRAW OFF CONNECTION
HOT WATER RETURN CONNECTION
MAINS PRESSURE SHOWER PLUS COIL



CAPACITIES 120, 144, 210 Litres
SUITABLE TARIFF All low cost off peak eg. Economy 7, E10 etc
HOT WATER DRAW OFF CONNECTION 22mm BS compression
KITEMARK BS 3198:1981
BALL VALVE CLEARANCE 225mm clearance is required between the top of the unit & ceiling for acces to the ball valve
BALL VALVES BS 1212 (part 2) Ball valve and float



APPLICATION GUIDE

Capacity Litres	Width mm	Depth mm	Height mm	Full Weight kilos	Max Daily Heat Loss	Application Guide
120	415	465	1260	157.4	1.15 K.W.H.	1-2 persons – no bath
144	465	465	1260	184.2	1.38 K.W.H.	1-2 persons – with bath
210	560	525	1260	265.8	2.01 K.W.H.	All others

The above application guide is for general guidance only.
• Heat loss figures exceed the requirements of BS 3198:1981